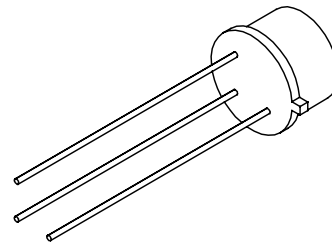



Solid State Devices, Inc.

14701 Firestone Blvd * La Mirada, Ca 90638
 Phone: (562) 404-4474 * Fax: (562) 404-1773
 ssdi@ssdi-power.com * www.ssdi-power.com

Designer's Data Sheet
FEATURES:

- **Extremely Low Forward Voltage Drop**
- **Low Reverse Leakage**
- **Hermetically Sealed Package**
- **Guard Ring for Overvoltage Protection**
- **Eutectic Die Attach**
- **175°C Operating Junction Temperature**
- **TX, TXV, or Space Level Screening Available**

SSR0508/5
SSR0509/5
SSR0510/5
5 AMP
80 – 100 VOLTS
SCHOTTKY RECTIFIER

TO-5
MAXIMUM RATINGS

RATING	SYMBOL	VALUE	UNIT
Peak Repetitive Reverse Voltage and DC Blocking Voltage SSR0508/5 SSR0509/5 SSR0510/5	V_{RRM} V_{RWM} V_R	 80 90 100	 Volts
Average Rectified Output Current (Resistive Load, 60Hz, Sine Wave, TA=25°C)	I_O	5	Amps
Peak Surge Current ^{1/} (8.3 ms Pulse, Half Sine Wave, superimposed on I_O , allow junction to reach equilibrium between pulses, TA=25°C)	I_{FSM}	150	Amps
Operating and Storage Temperature	T_{OP} & T_{STG}	-65 to +175	°C
Maximum Thermal Resistance ^{1/} Junction to Case	$R_{\theta JC}$	7	°C/W

Notes:

1/ For optimal performance, connect leads 1 & 2 (Anode) together.

NOTE: All specifications are subject to change without notification. SCD's for these devices should be reviewed by SSDI prior to release.

DATA SHEET #: RS0187C
DOC



Solid State Devices, Inc.

14701 Firestone Blvd * La Mirada, Ca 90638
 Phone: (562) 404-4474 * Fax: (562) 404-1773
 ssdi@ssdi-power.com * www.ssdi-power.com

SSR0508/5
SSR0509/5
SSR0510/5

ELECTRICAL CHARACTERISTICS

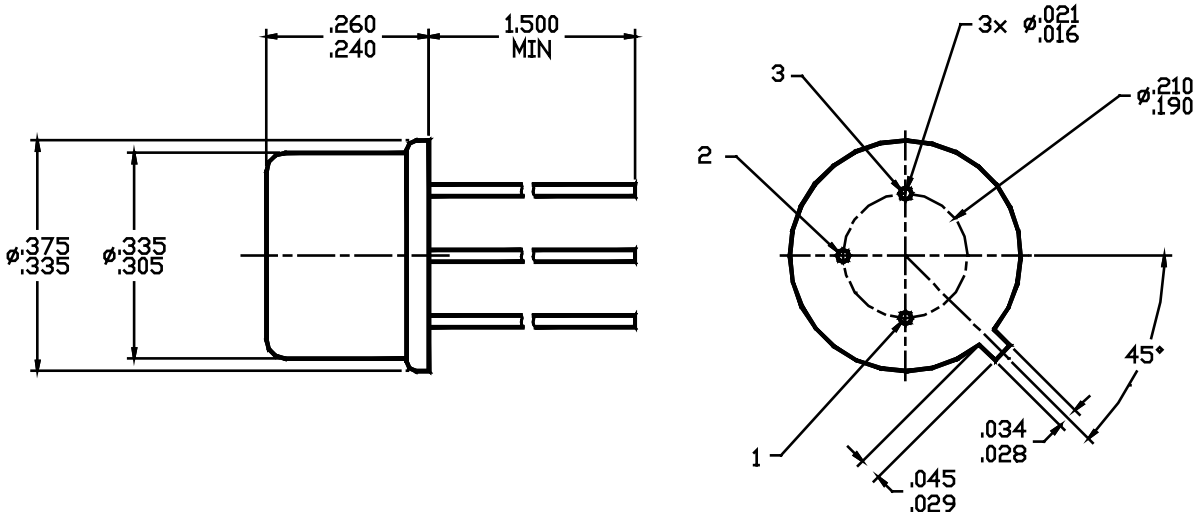
CHARACTERISTICS	SYMBOL	MAXIMUM	UNIT
Instantaneous Forward Voltage Drop ^{1/} (I _F = 1 Adc, T _A = 25°C, Pulse) (I _F = 5 Adc, T _A = 25°C, Pulse)	V_{F1}	0.56 0.73	Vdc
Instantaneous Forward Voltage Drop (I _F = 5 Adc, T _A = -55°C, Pulse)	V_{F2}	0.8	Vdc
Reverse Leakage Current (Rated V _R , T _A = 25°C, Pulse)	I_{R1}	100	μA
Reverse Leakage Current (Rated V _R , T _A = 100°C, Pulse)	I_{R2}	5	mA
Junction Capacitance (V _R = 10 Vdc, T _A = 25°C, f = 1 MHz)	C_J	400	pF

Notes:

2/ V_F as measured between pins 1 and 2 in common, within .100" from the case, and pin 3 directly at the case.

Case Outline- TO-5

PIN OUT:
PIN 1- ANODE
PIN 2- ANODE
PIN 3- CATHODE



NOTE: All specifications are subject to change without notification. SCD's for these devices should be reviewed by SSDI prior to release.

DATA SHEET #: RS0187C

DOC